



# DENSYL™ MASTIC BLANKETS

## INSTRUCTIONS FOR USE

### USE

For molding around irregular profiles such as flanges, valves and couplings prior to wrapping with anti-corrosion tapes.

### SURFACE PREPARATION

Surfaces must be clean, dry and dust free. Remove all loose rust, scale and flaking coatings by scraping, wire brushing or blast cleaning.

### PRIMING

Prior to application of Blankets apply appropriate primer for the overwrapping tape (e.g. DENSO PASTE™ for DENSO TAPE™ or DENSO PRIMER D™ for DENSOPOL™ or DENSOCLAD™ cold applied laminate tapes).

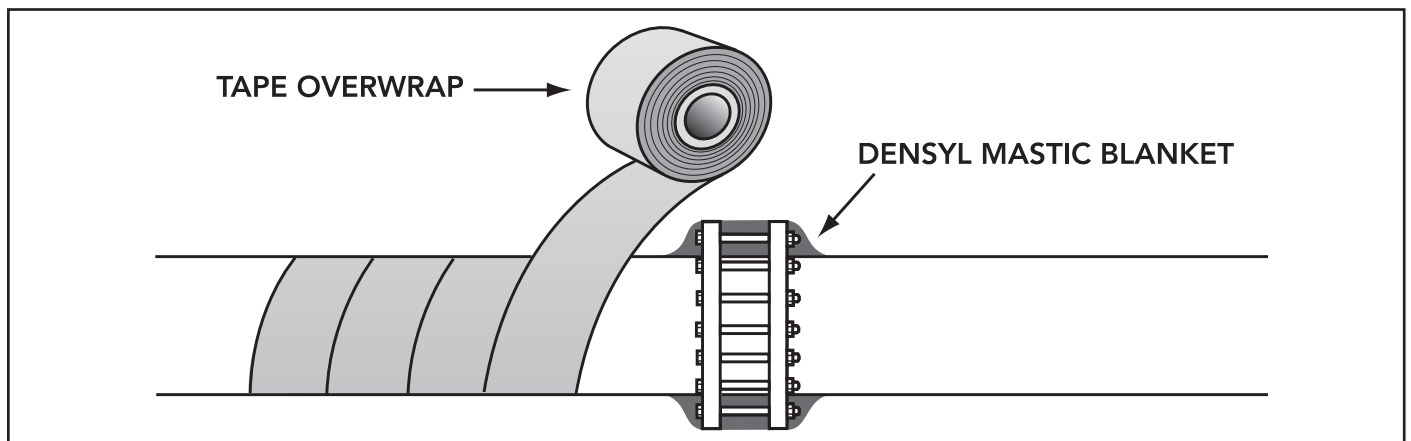
### APPLICATION

Prepare the surface and apply primer suitable for the anti-corrosion tape. Select the appropriate size of blankets for the fitting. Remove the interleaving and position the Blankets so the mastic face is in contact with the metal to be protected. Blankets are to be well pushed home to follow the contours of the fittings. Press the blankets into cavities, into angles and around bolt heads to form a profile suitable for wrapping without forming bridges or voids. All overlaps of blankets should be 50mm minimum.

### OVERWRAPPING

DENSYL MASTIC BLANKETS must be wrapped with anti-corrosion tape to complete protection e.g. Denso or Densoclad Tapes.

### Method for application of Densyl™ Mastic Blankets to pipe couplings





# DENSYL™ MASTIC BLANKETS

## INSTRUCTIONS FOR USE

### STORAGE

Store correct way up in original packaging. Store away from direct heat and open flames.

### TRANSPORT

No special precautions necessary.

### HANDLING

- Grease resistant gloves are advised to reduce skin contact.
- Avoid contact with arms and face etc.
- Wash thoroughly with soap and water after use and before work breaks to remove compound from the skin.
- Careful attention should be given to personal hygiene.
- Change and clean soiled clothing.

### ACTION IN CASE OF...

**FIRE:** Extinguish with dry powder, carbon dioxide or chemical foam. Use air breathing equipment in case of large fires in confined spaces.

**INHALATION:** Not applicable.

**SKIN CONTACT:** Wash with warm water and mild soap.

**EYE CONTACT:** Irrigate eyes thoroughly with clean water.

**SWALLOWING:** Obtain medical advice if necessary.

**SPILLAGE:** Not applicable.

### DISPOSAL

Please minimise or avoid waste wherever possible. Please do not discard waste material, including packaging, in the surrounding environment. Follow all relevant legislation for disposal.



DENSO NORTH AMERICA INC.  
90 IRONSIDE CRESCENT, UNIT 12  
TORONTO, ONTARIO, M1X 1M3 CANADA  
TEL: 416-291-3435  
EMAIL: sales@densona-ca.com

Publication Number  
328.04.2000

A MEMBER OF WINN & COALES INTERNATIONAL

DENSO NORTH AMERICA INC.  
9710 TELGE ROAD  
HOUSTON, TEXAS 77095  
TEL: 281-821-3355  
EMAIL: info@densona.com

**IMPORTANT:** The information given on this sheet is intended as a general guide only and should not be used for specification purposes. We believe the information to be accurate and reliable but do not guarantee it. We assume no responsibility for the use of this information. Users must, by their own tests, determine the suitability of the products and information supplied by us for their own particular purposes. No patent liability can be assumed.